

VS-KB30 Compact IP Camera Controller

Lumens[®]
Your Success...Our Passion!

The VS-KB30 is an ergonomic and compact camera controller supports Sony VISCA protocol, VISCA over IP, Pelco P&D, and NDI[®]|HX making it easier to discover, connect, and control PTZ cameras. This camera controller features quick access functionality that allows instant adjustments to exposure, white balance, focus, PTZ speed and six assigned keys for frequently-needed camera functions. The camera controller is equipped with the RS-232C/RS-422/Ethernet communication interfaces with PoE for the transmission of power and control in “one-cable”. The VS-KB30 is applicable for education, broadcasting, events, house of worship and other environments.



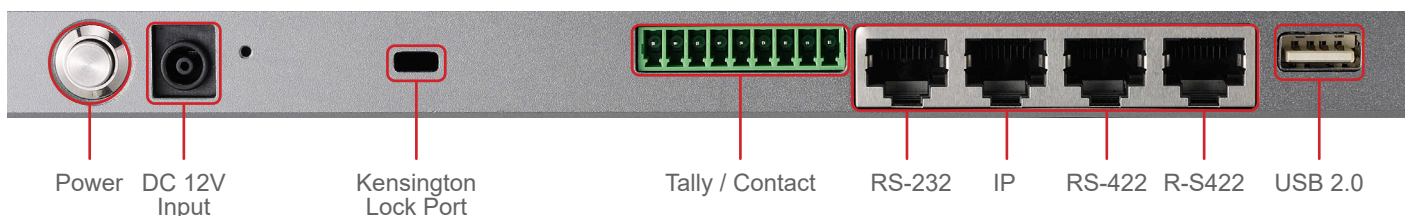
Key Features

- Joystick for Pan / Tilt / Zoom
- Quick access control of exposure, white balance, focus, PTZ speed, and 6 user-assignable keys
- The RS-232C / RS-422 x2 / Ethernet control interfaces allow long-distance communication
- Protocol by VISCA, VISCA Over IP, and Pelco P&D
- Control up to total of 255 IP cameras on a single network with PoE support
- Support NDI[®]|HX, fully compatible with NDI[®]|HX PTZ camera, including Lumens, NewTek and Marshall

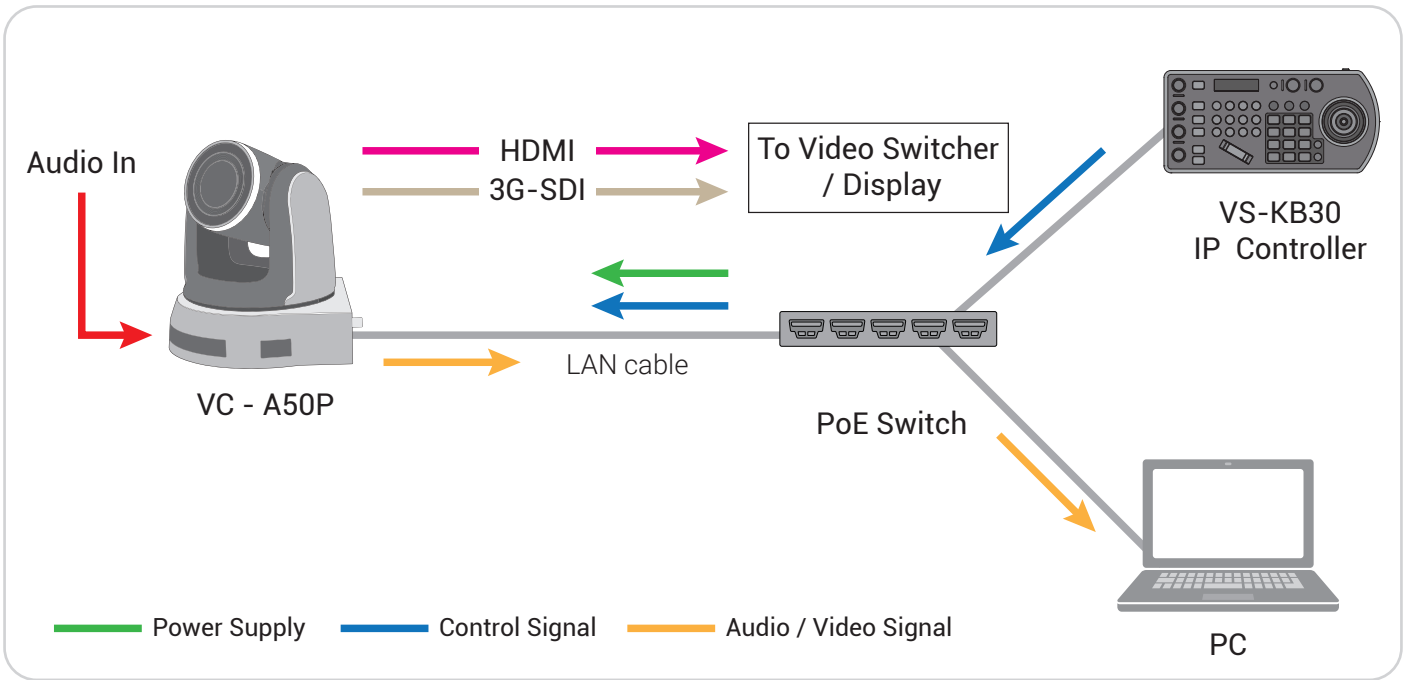
Product Specifications

Comm. Interface	RS-232, RS-422 x2, Ethernet	Protocol	VISCA, Pelco P&D, VISCA Over IP
Display	LCD	Baud Rate	2400, 4800, 9600, 19200, 38400 bps
Joystick	4-axis (Pan / Tilt / Zoom)	Camera Address	1~255
Speed Control	x2 (2 Knobs)	Preset	255
Zoom Control	x1 (Zoom Seesaw Lever)	Power	DC12V / PoE
Gain Control	R / B Gain (2 Knobs)	Power Consumption	8W
Assign Button	x6	Dimensions	278 x 132 x 99.5 mm
Keypad with backlight	Yes	Weight	1 kg

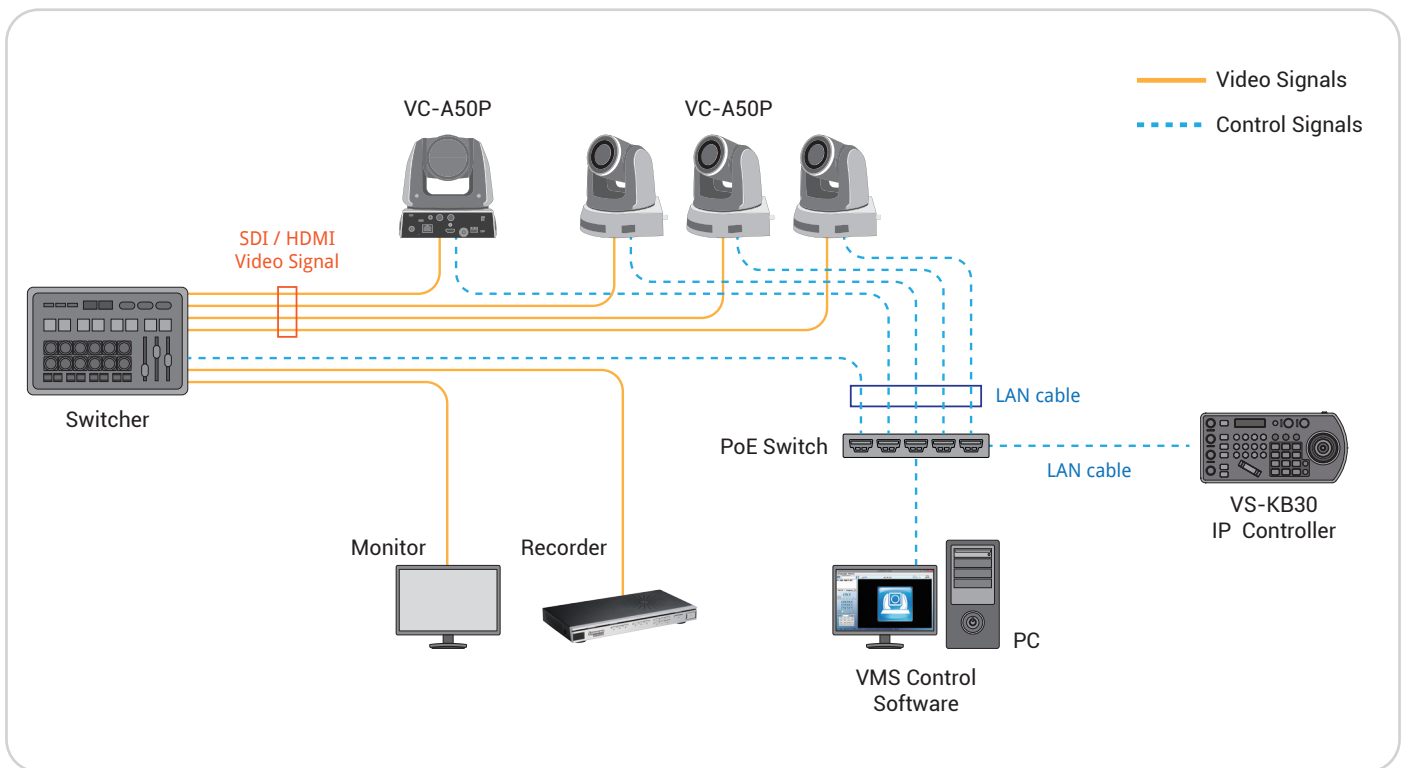
I/O CONNECTIONS



Single Camera Connection



Multi-Camera Connection



Lumens[®]
Your Success...Our Passion!

www.MyLumens.com

Lumens Integration, Inc.
4116 Clipper Court
Fremont, CA, 94538
Phone : 888.542.3235
Fax : 510.252.1389

Lumens Europe
De Nayerstraat 17 9470
Denderleeuw Belgium
Phone : +32 473 58 38 95
Fax : +32 (0) 2 452 76 00

