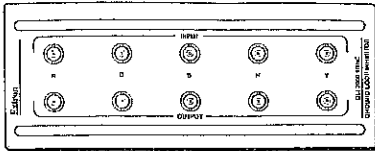


Setup Guide — GLI 2000 Series

IMPORTANT:
Refer to www.extron.com for the complete user manual and installation instructions.



This card provides quick start instructions for an experienced installer to set up and operate any of the GLI 2000 Series products. The GLI 2000 series are heavy duty passive ground loop inhibitors, eliminating hum bars and common mode noise created by improper equipment grounding.

Installation

Step 1 — Mounting

Turn off or disconnect all equipment power sources and rack mount the GLI 2000 device using two (GLI 2000 2BNC) or four (GLI 2000 5BNC) 4-40 x 3/16" screws as required.

Step 2 — Connect inputs ①

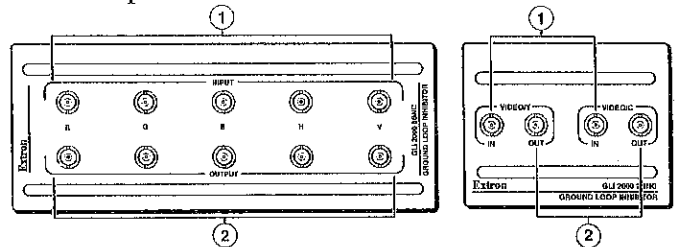
Connect the inputs as follows:

- GLI 2000 5BNC — connect RGBHV, RGBS, RGsB or RsGsBs sources to the 5 BNC's.



- GLI 2000 2BNC — connect one S-video or two composite video sources to the 2 BNC's.

NOTE The H and V channels on the GLI 2000 5BNC have a bandwidth of 200 MHz, rather than 425 MHz, and should not be used for high resolution signals.



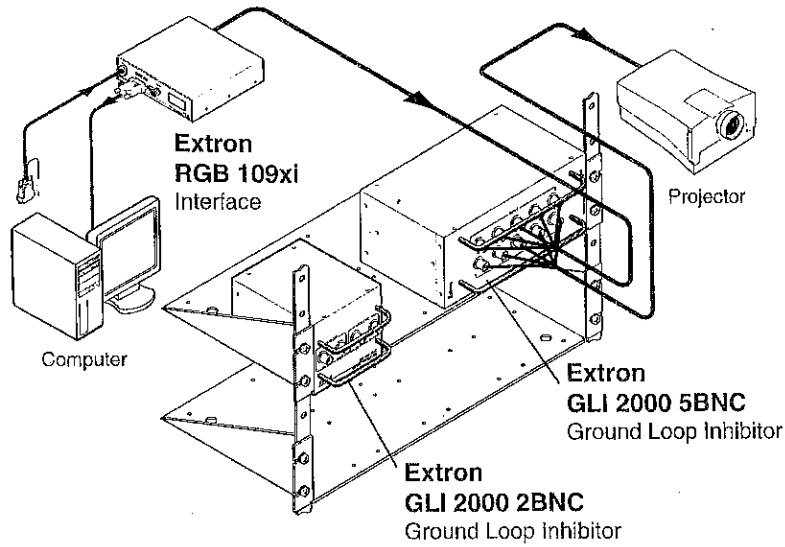
(Continued on reverse side)

Setup Guide — GLI 2000 Series, cont'd

Step 3 — Connect outputs ②

Connect the outputs as follows:

- GLI 2000 5BNC — connect RGBHV, RGBS, RGsB or RsGsBs displays to the 5 BNC's.
- GLI 2000 2BNC — connect one S-video or two composite video displays to the 2 BNC's.



Example of a typical GLI 2000 application

Extron USA - West Headquarters +800.633.9876 <i>Inside USA / Canada Only</i> +1.714.491.1500 +1.714.491.1517 FAX	Extron USA - East +800.633.9876 <i>Inside USA / Canada Only</i> +1.919.863.1794 +1.919.863.1797 FAX	Extron Europe +800.3987.6673 <i>Inside Europe Only</i> +31.33.453.4040 +31.33.453.4050 FAX	Extron Asia +800.7339.8786 <i>Inside Asia Only</i> +85.0383.4400 +85.6383.4684 FAX	Extron Japan +81.3.3511.7655 +81.3.3511.7656 FAX	Extron China +400.883.1588 <i>Inside China Only</i> +86.21.3760.1568 +86.21.3760.1566 FAX	Extron Middle East +971.4.2991800 +971.4.2991880 FAX	68-811-50 Rev. A 04 09
--	--	---	---	---	--	---	-------------------------------------

© 2009 Extron Electronics. All rights reserved.