

Zoom Lens (1.3–1.8:1) for DLP™ Projector

ET-DLE100

This zoom lens is designed for use with the DLP™ projector.
 The lens makes it possible to vary the projection distance by changing the focal distance.
 NOTE: Please use the lens only on the specified Panasonic DLP™ projector.

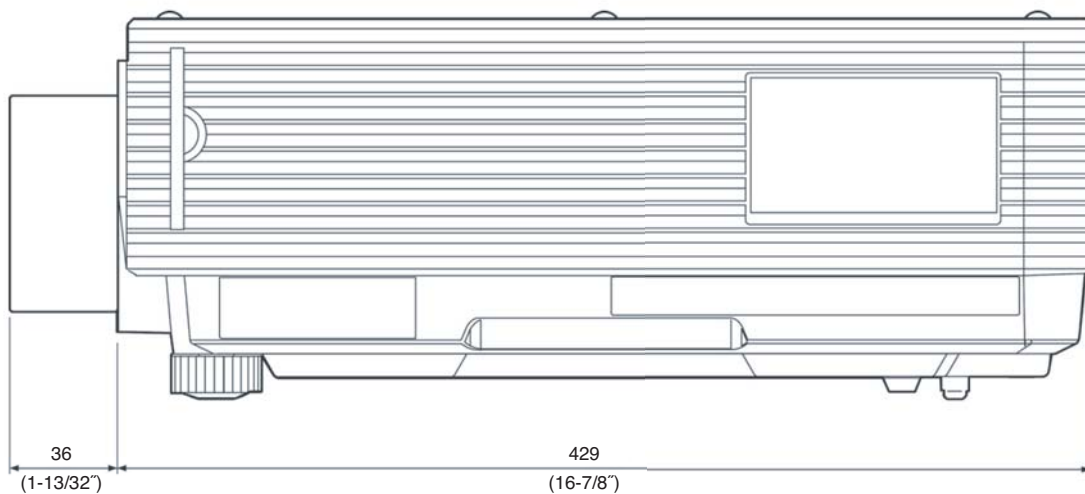
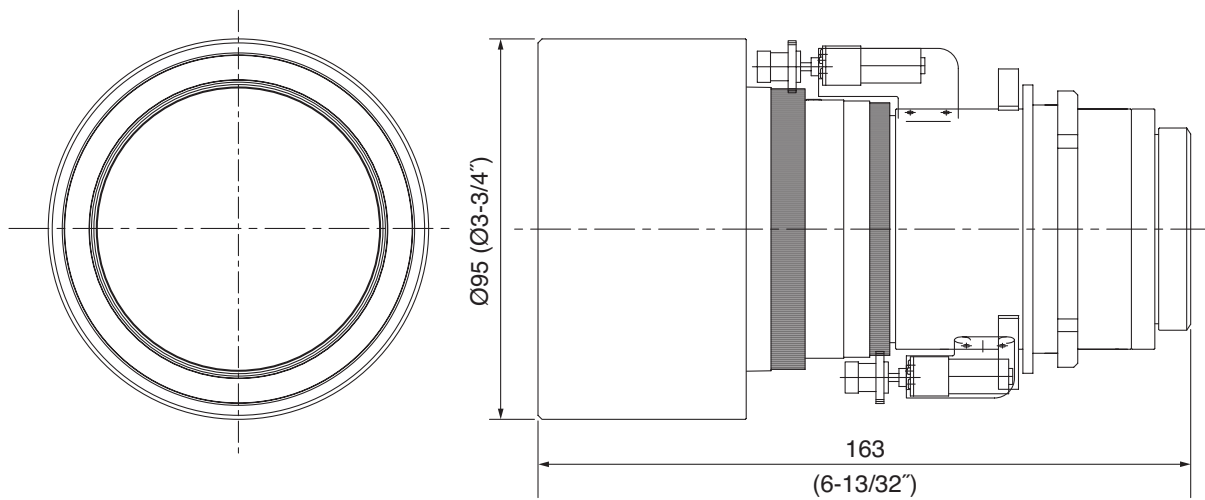
Specifications

F value:	1.8 – 2.3
Focal distance:	19.3 mm – 25.8 mm
Dimensions (W x H x D):	95 x 95 x 163 mm (3-3/4" x 3-3/4" x 6-13/32")
Weight:	0.7 kg (1.5 lbs)

Weights and dimensions shown are approximate.
 Specifications subject to change without notice.
 Digital Light Processing and DLP are trademarks of Texas Instruments.

Dimensions

unit: mm (inch)



The illustration shows the lens attached to the DLP™ projector.

Note: This illustration is not drawn to scale.